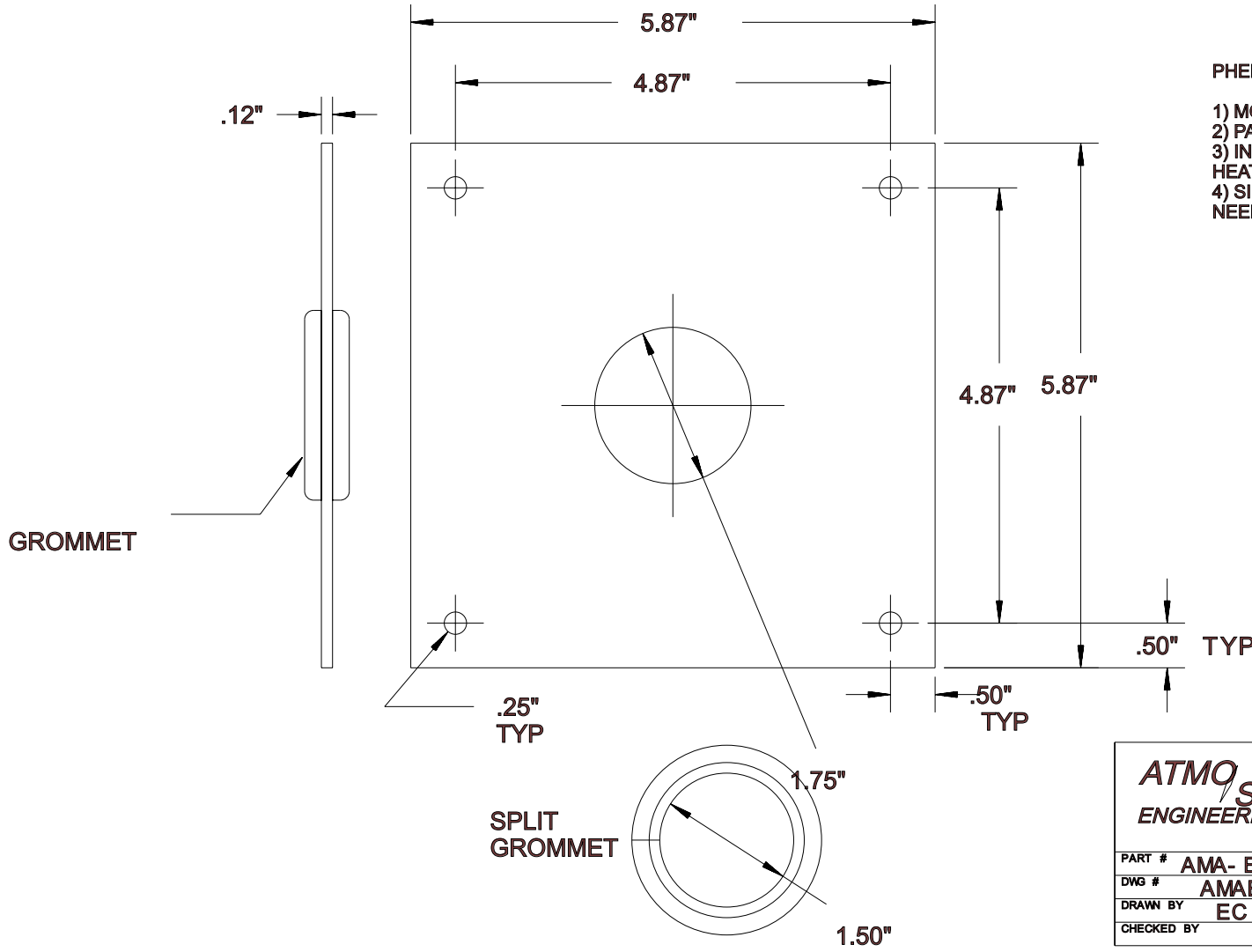




Emissions Sample Transport Systems
1091 Wheaton Ave. Troy, MI 48083
248-528-9640 fax 248-528-9643
www.atmoseal-eng.com



- PHENOLIC PLATE**
- 1) MOUNT PLATE TO WALL
 - 2) PASS LINE THROUGH PLATE
 - 3) INSTALL SPLIT GROMMET AROUND HEATED LINE
 - 4) SILICONE GAPS AND MESH IF NEEDED FOR A TIGHTER SEAL

ATMO SEAL ENGINEERING, INC.		1091 WHEATON AVE. TROY, MI 48083 V. 248-528-9640 F. 248-528-9643 ATMOSEAL-ENG.COM	
PART #	AMA- E54	SCALE	NTS
DWG #	AMAE54	DATE	10 / 05
DRAWN BY	EC	CHECKED BY	DATE