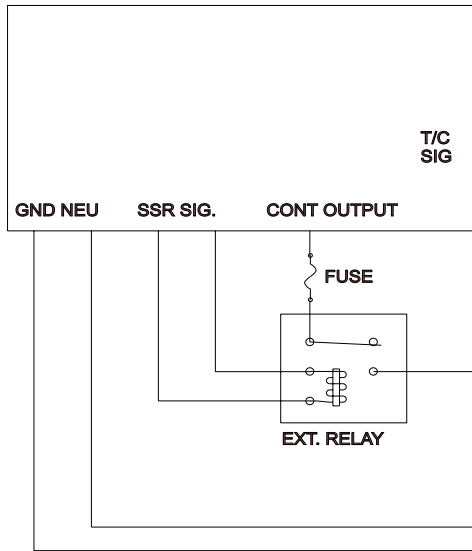


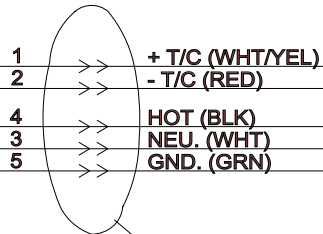
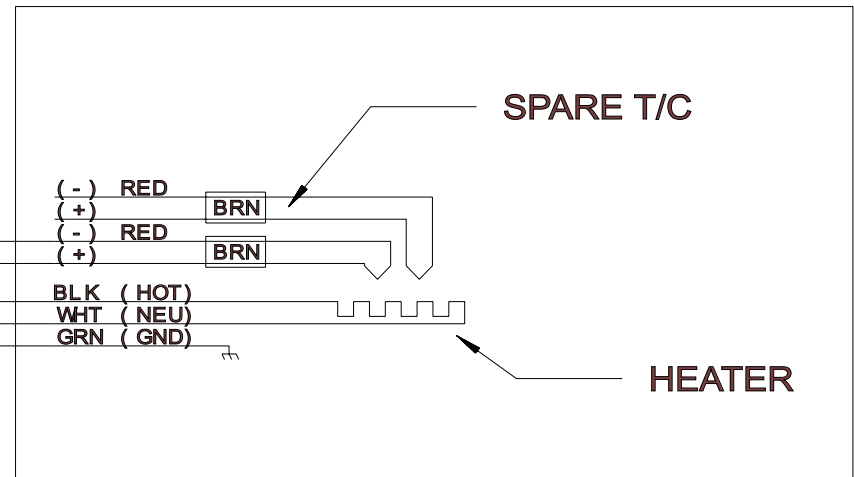


Emissions Sample Transport Systems
 1091 Wheaton Ave. Troy, MI 48083
 248-528-9640 fax 248-528-9643
 www.atmoseal-eng.com

TEMP. CONTROLLER



HEATED DEVICE



OPTIONAL CONNECTOR
 PROVIDED BY ATMO-SEAL, INC.
 AS REQ'D

NOTE: THERMOCOUPLES IN DUPLEX WIRE

ATMO- SEAL ENG. , I NC.
 1354 SUI TE A COMBERMERE
 TROY, M 48083

PART # 120 VAC HOOK UP - STD	
W/O #:	
DWG #: HOOKUP1C	SCALE:
DRAWN BY:	DATE:
CHECKED BY:	DATE: