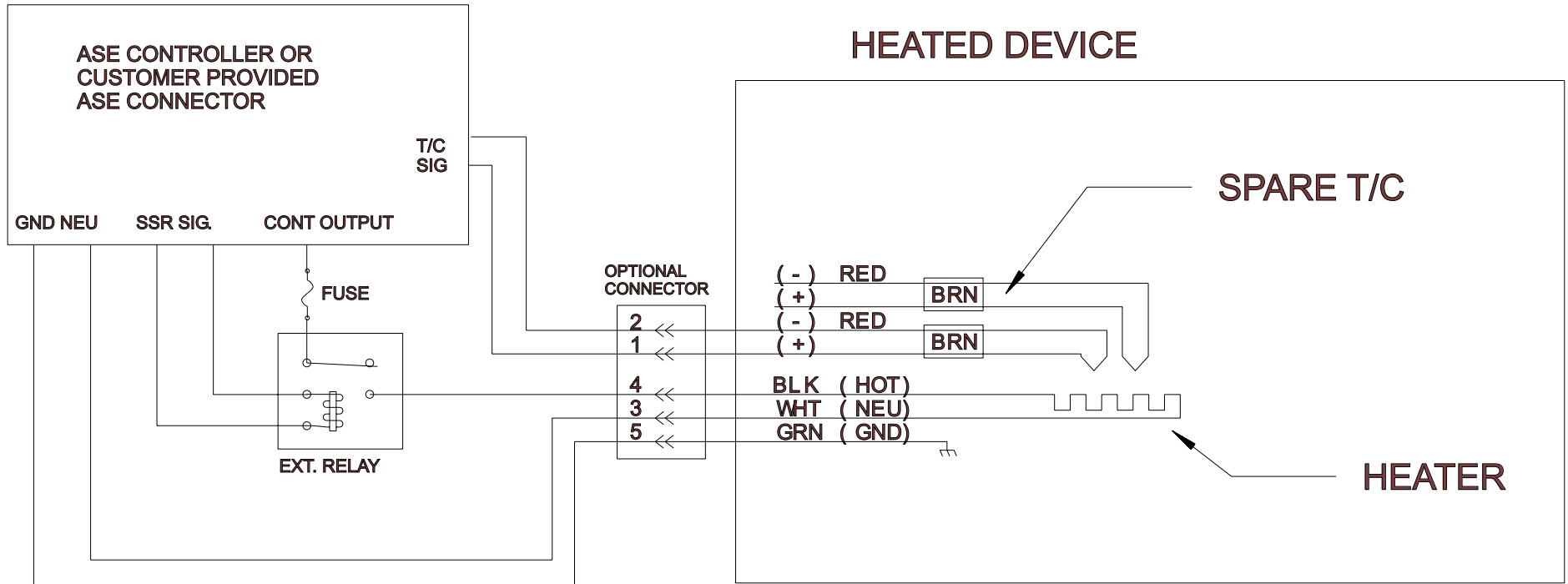
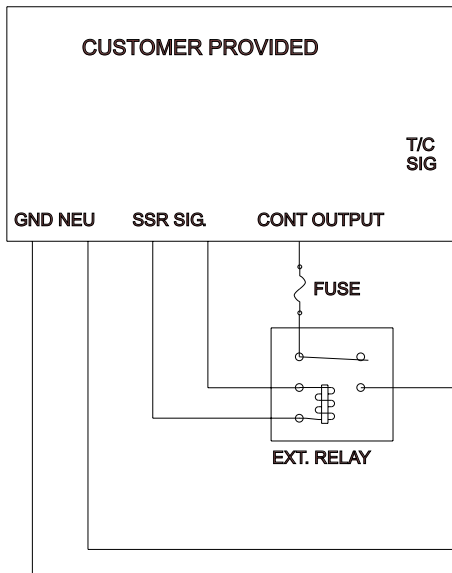


TEMP. CONTROLLER

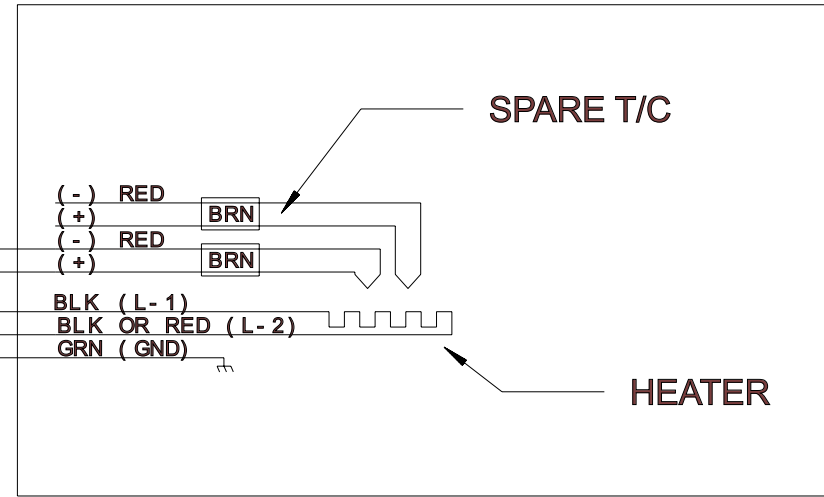


NOTE: THERMOCOUPLES IN DUPLEX WIRE

TEMP. CONTROLLER



HEATED DEVICE

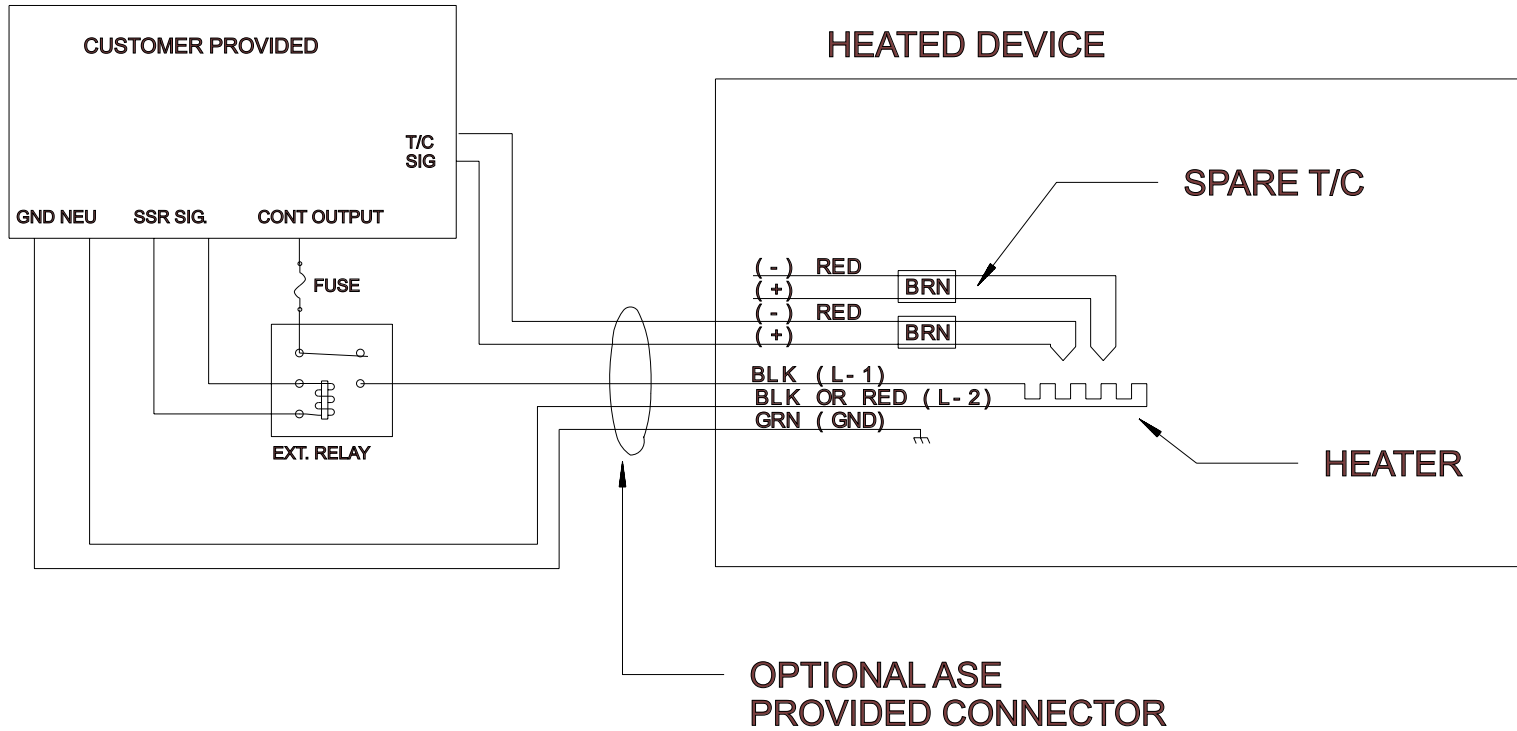


**OPTIONAL ASE
 PROVIDED CONNECTOR**

SERIALIZED PRODUCTS ARE SHIPPED WITH LABELS
 REFLECTING OHMS, AMPS AND OPERATION VOLTAGE

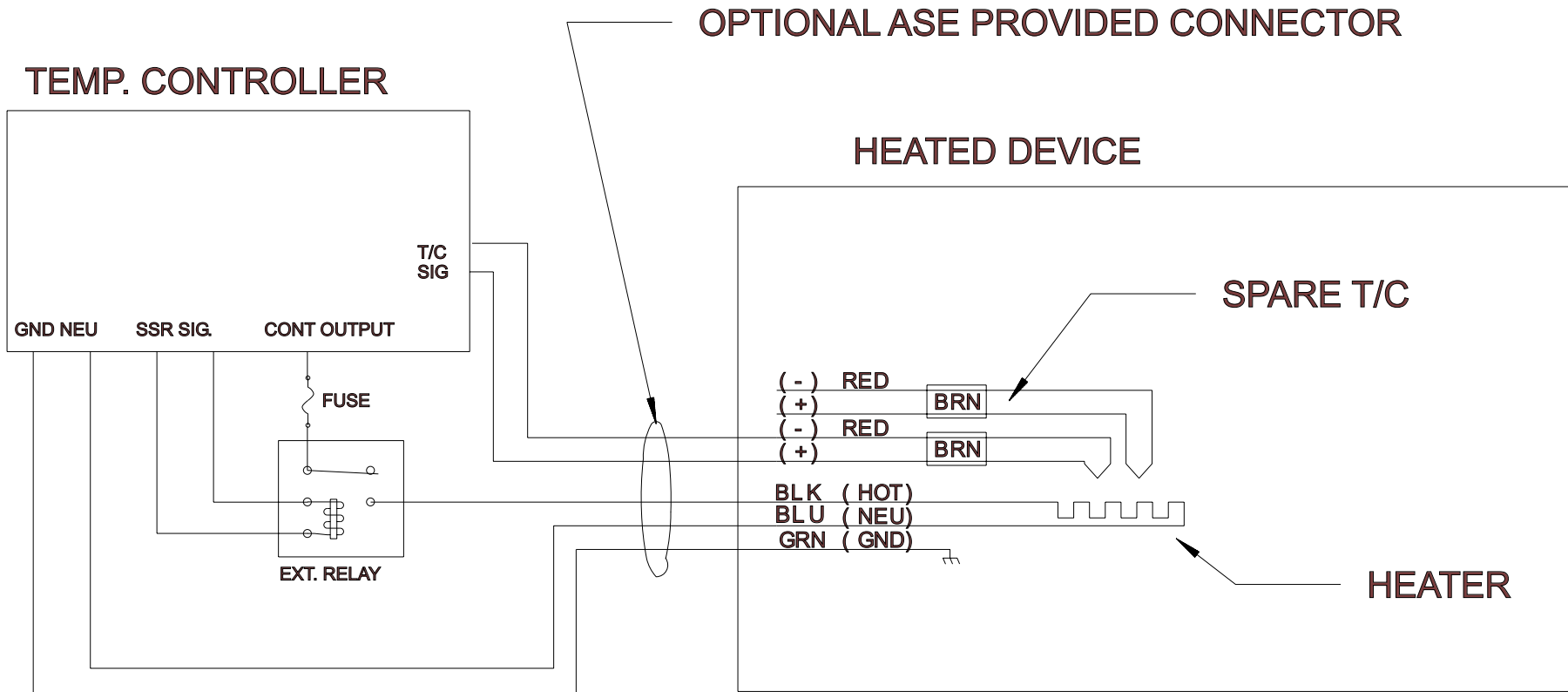
NOTE: THERMOCOUPLES IN DUPLEX WIRE

TEMP. CONTROLLER



SERIALIZED PRODUCTS ARE SHIPPED WITH LABELS
 REFLECTING OHMS, AMPS AND OPERATION VOLTAGE

NOTE: THERMOCOUPLES IN DUPLEX WIRE



SERIALIZED PRODUCTS ARE SHIPPED WITH LABELS
 REFLECTING OHMS, AMPS AND OPERATION VOLTAGE

NOTE: THERMOCOUPLES IN DUPLEX WIRE